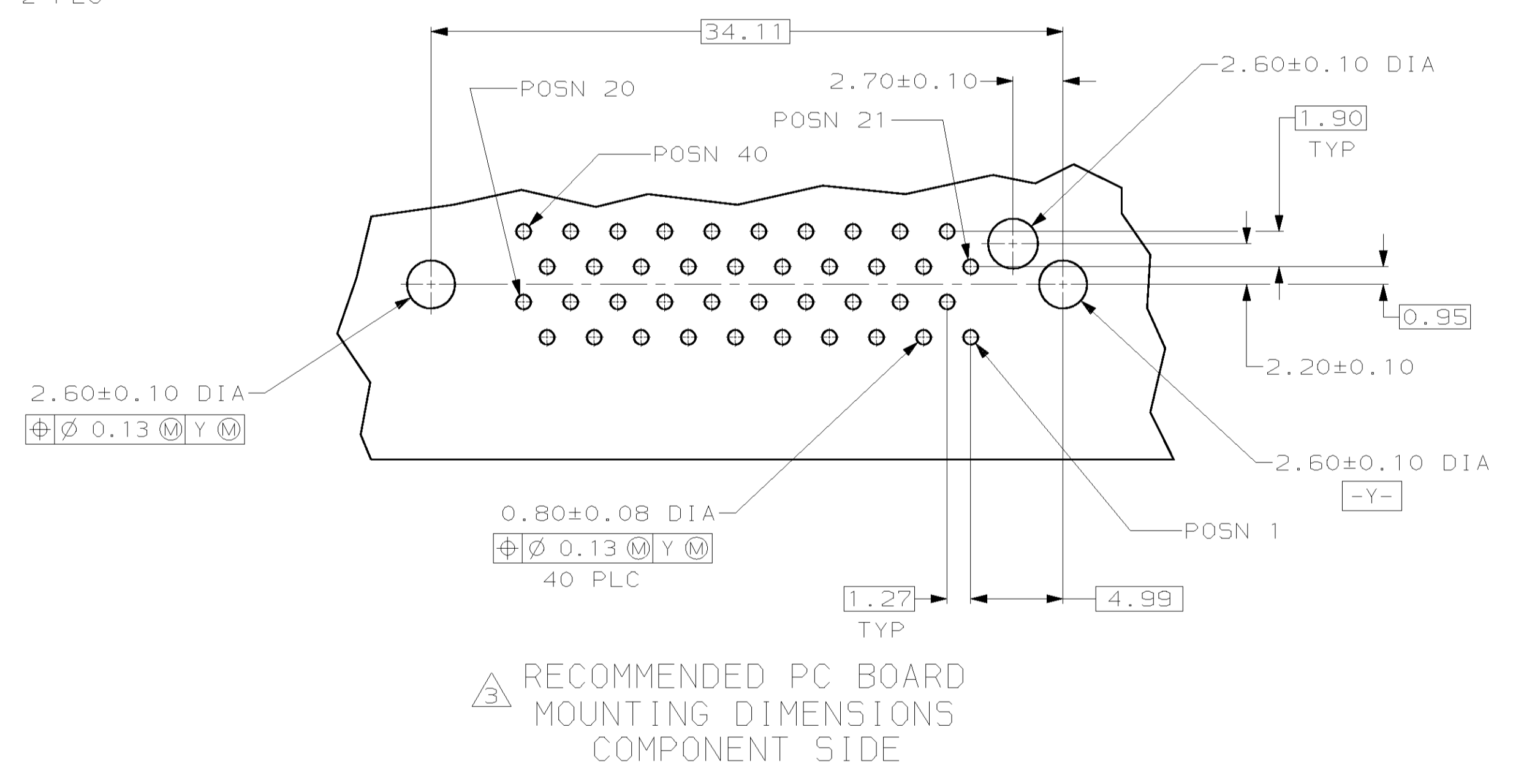
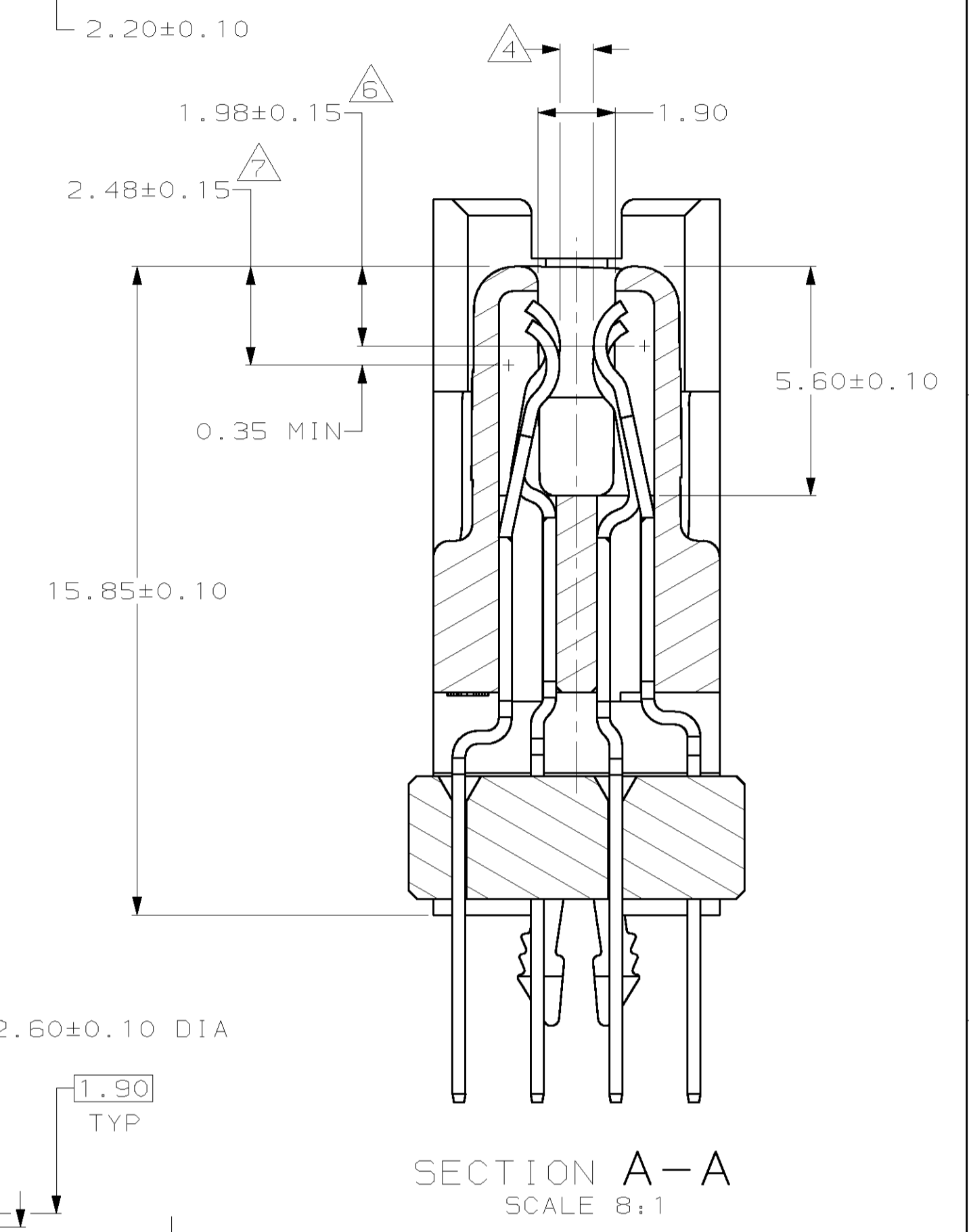
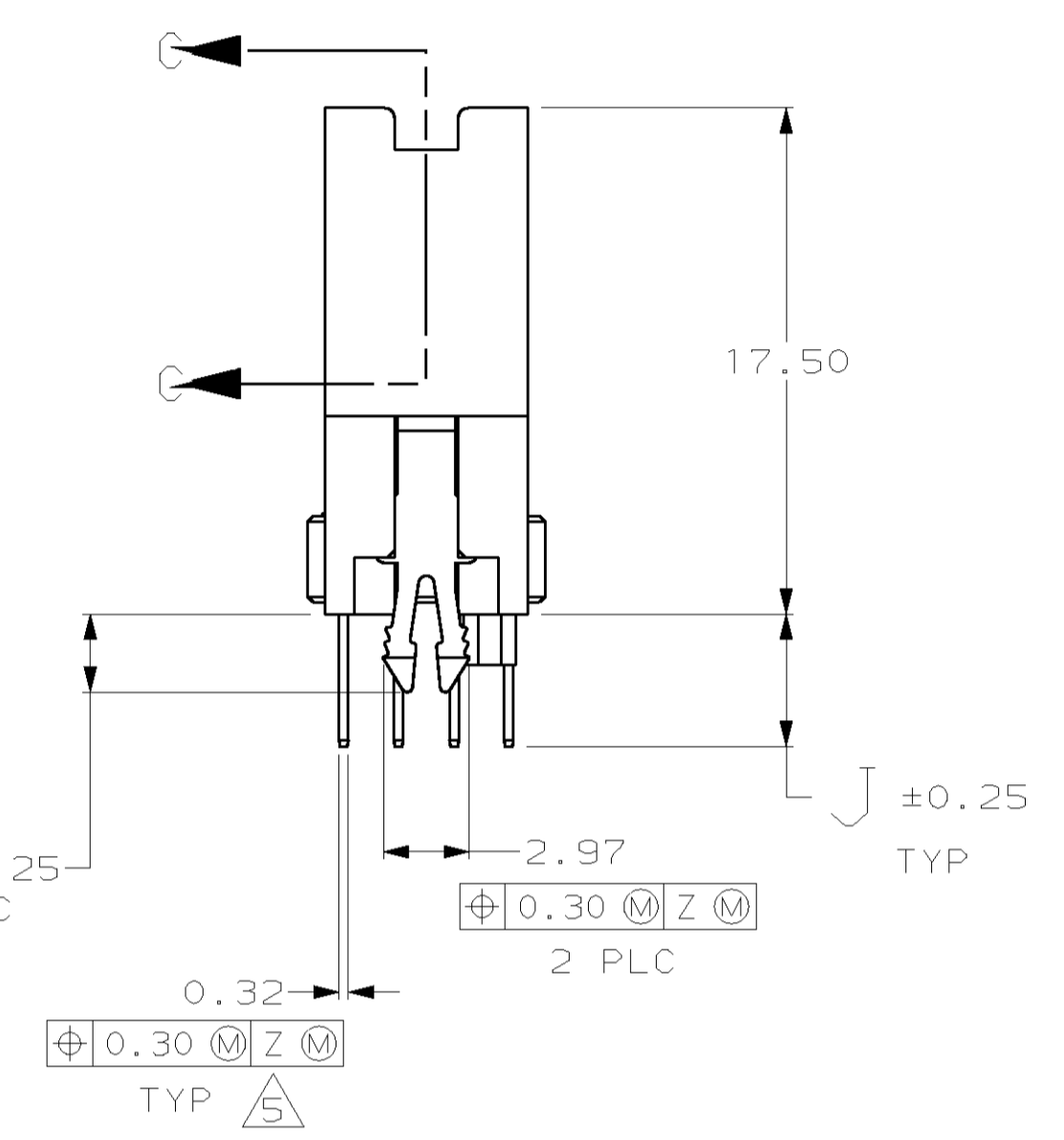
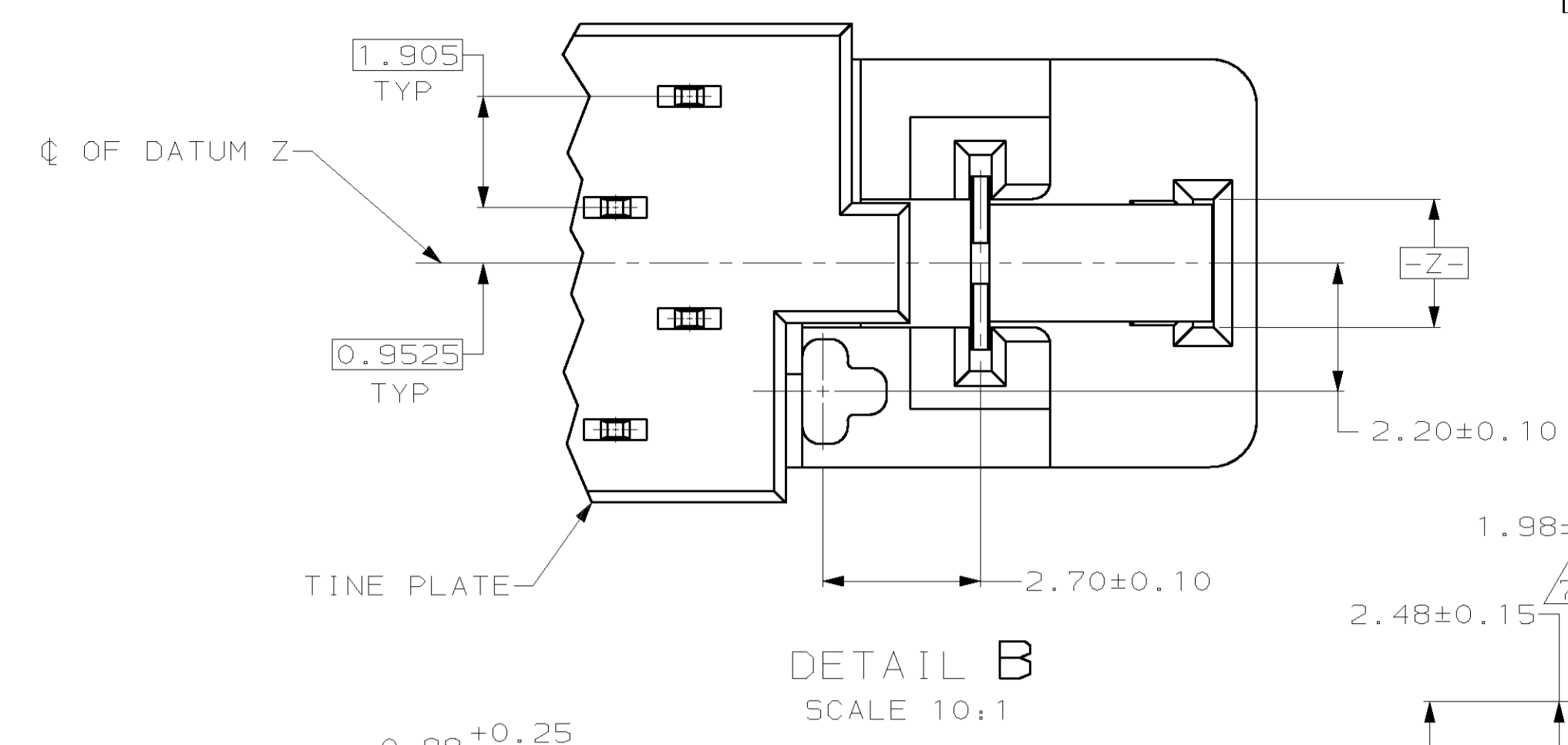
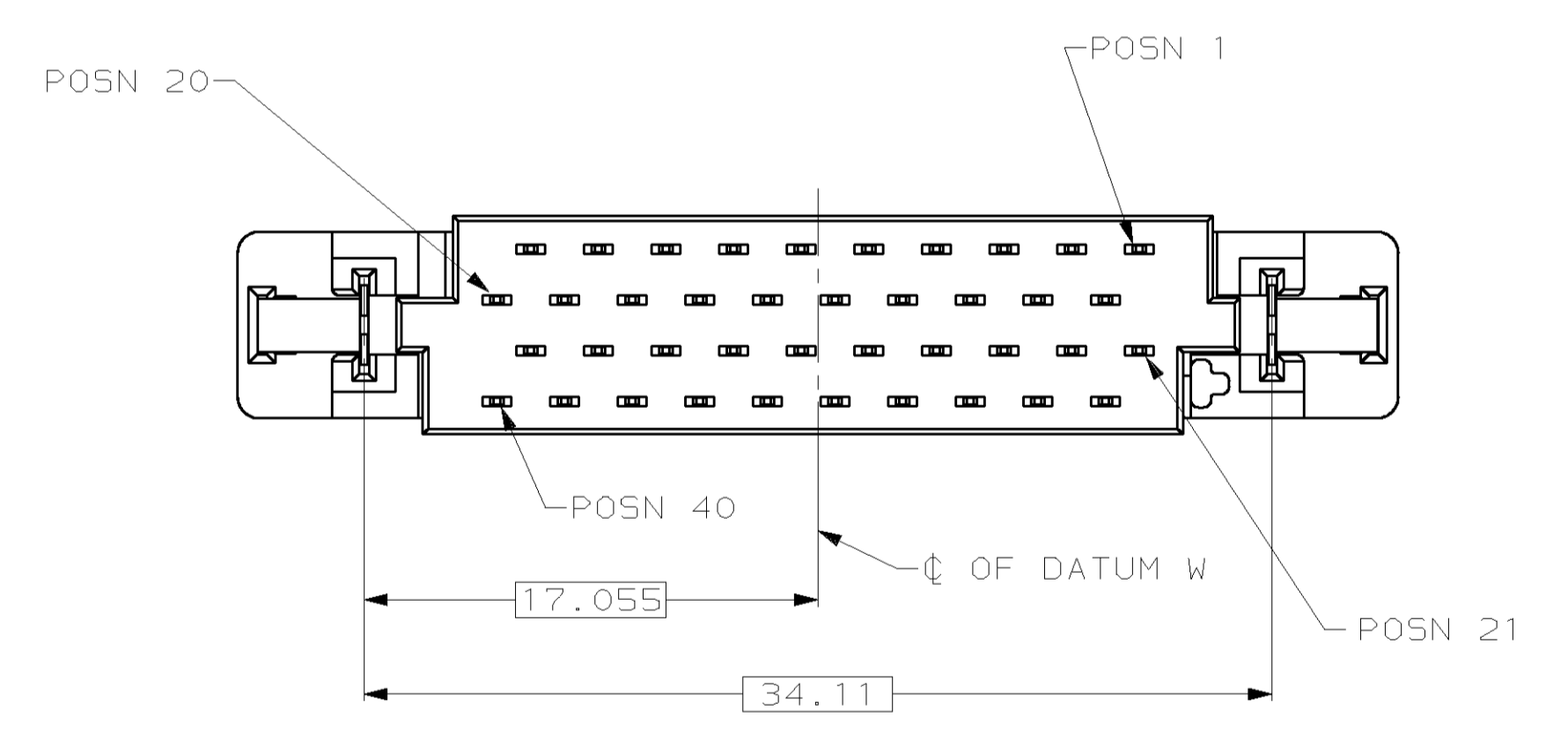
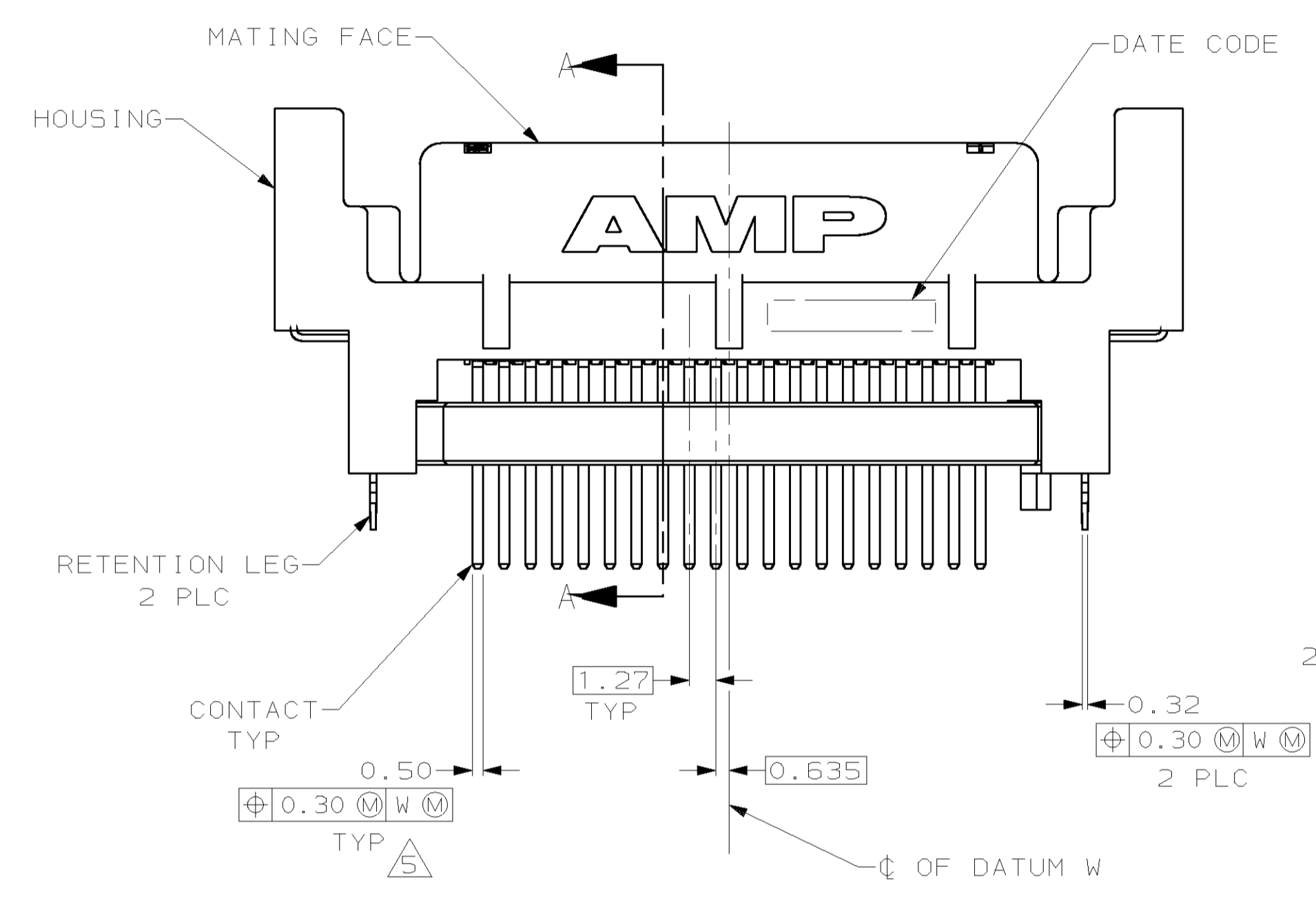
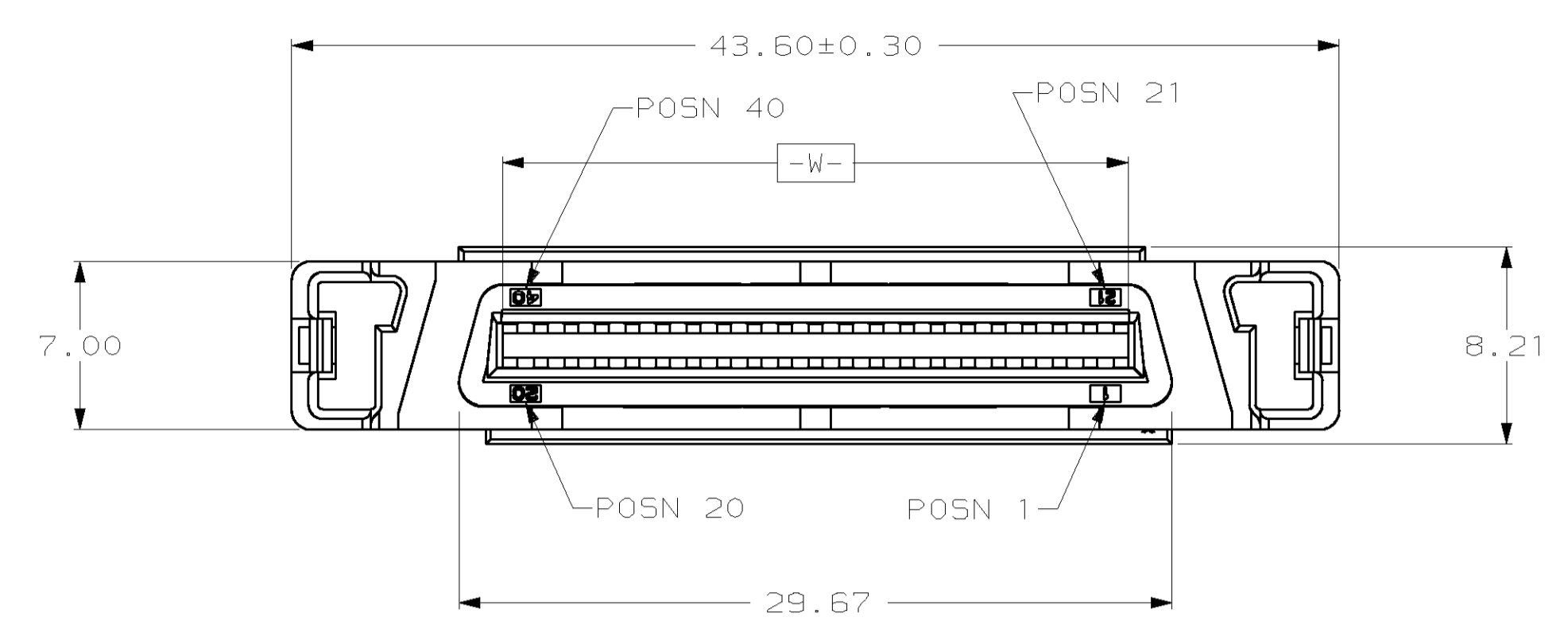


LOC		DIST		REVISIONS			
GP	00	YR	LYR	DESCRIPTION	DATE	DWN	APVD
M				REVISED PER EC 0513-0543-04	12MAY05	JG	SS



- 1 HOUSING & TINE PLATE: POLYESTER, UL 94V-0 RATED, BLACK.  
CONTACTS: PHOSPHOR BRONZE.  
RETENTION LEGS: BRASS.
- 2 CONTACTS: 0.76 μm MIN GOLD FOR A LENGTH 1.20 MIN STARTING 0.50 MAX FROM MATING END, 3.81 μm MIN TIN-LEAD ON SOLDER TINES, BOTH OVER 1.27 μm MIN NICKEL.  
RETENTION LEGS: 3.81 μm MIN TIN-LEAD OVER 1.27 μm MIN NICKEL.
- 3 CONNECTOR WILL ACCOMMODATE PRINTED CIRCUIT BOARD THICKNESS OF 1.77 TO 4.06.
- 4 CONNECTOR WILL ACCOMMODATE MATING PRINTED CIRCUIT BOARD OF 1.60±0.07 THICKNESS.
- 5 POSITION TOLERANCE APPLIES AT CONTACT TIP ONLY.
- 6 CONTACTS 21, 22, 23, 26, 29, 32, AND 35 THRU 40 ARE POSITIONED TOWARD THE MATING FACE. (FIRST MATE)
- 7 CONTACTS 1 THRU 20, 24, 25, 27, 28, 30, 31, 33, AND 34 ARE POSITIONED AWAY FROM THE MATING FACE. (SECOND MATE)
- 8 CONTACTS: 0.76 μm MIN GOLD FOR A LENGTH 1.20 MIN STARTING 0.50 MAX FROM MATING END, 3.81 μm MIN MATTE TIN ON SOLDER TINES, BOTH OVER 1.27 μm MIN NICKEL.  
RETENTION LEGS: 3.81 μm MIN HALT TIN.

FINISH	J	PART NUMBER
4.57		787597-3
2.79		787597-2
4.57		787597-1

DIMENSIONS:		TOLERANCES UNLESS OTHERWISE SPECIFIED:		MATERIAL:		FINISH:		WEIGHT:		CUSTOMER DRAWING:	
mm		0 PLC	±	DWN	C. OBERMAN	27 SEP 95					
		1 PLC	±	CHK	R. STONE	28 SEP 95					
		2 PLC	±0.13	APVD	J. SWANK	29 SEP 95					
		3 PLC	±	NAME	AMP Incorporated						
		4 PLC	±	PRODUCT SPEC	Harrisburg, PA 17105-3608						
		ANGLES	±	NAME	RECEPTACLE ASSEMBLY, EXTENDED HEIGHT, VERTICAL, 40 POSN, SERIES 1, CHAMP BLINDMATE						
				SIZE	CAGE CODE	DRAWING NO					
				A1	114-6061	00779					
				SCALE	4:1	SHEET	1	OF	1	REV	M